

SERIES
DESIGNATES PRESSURE
 L - LOW PRESSURE (IN H₂O)

ACCURACY GRADE
 C - COMMERCIAL GRADE
 H - HIGH GRADE

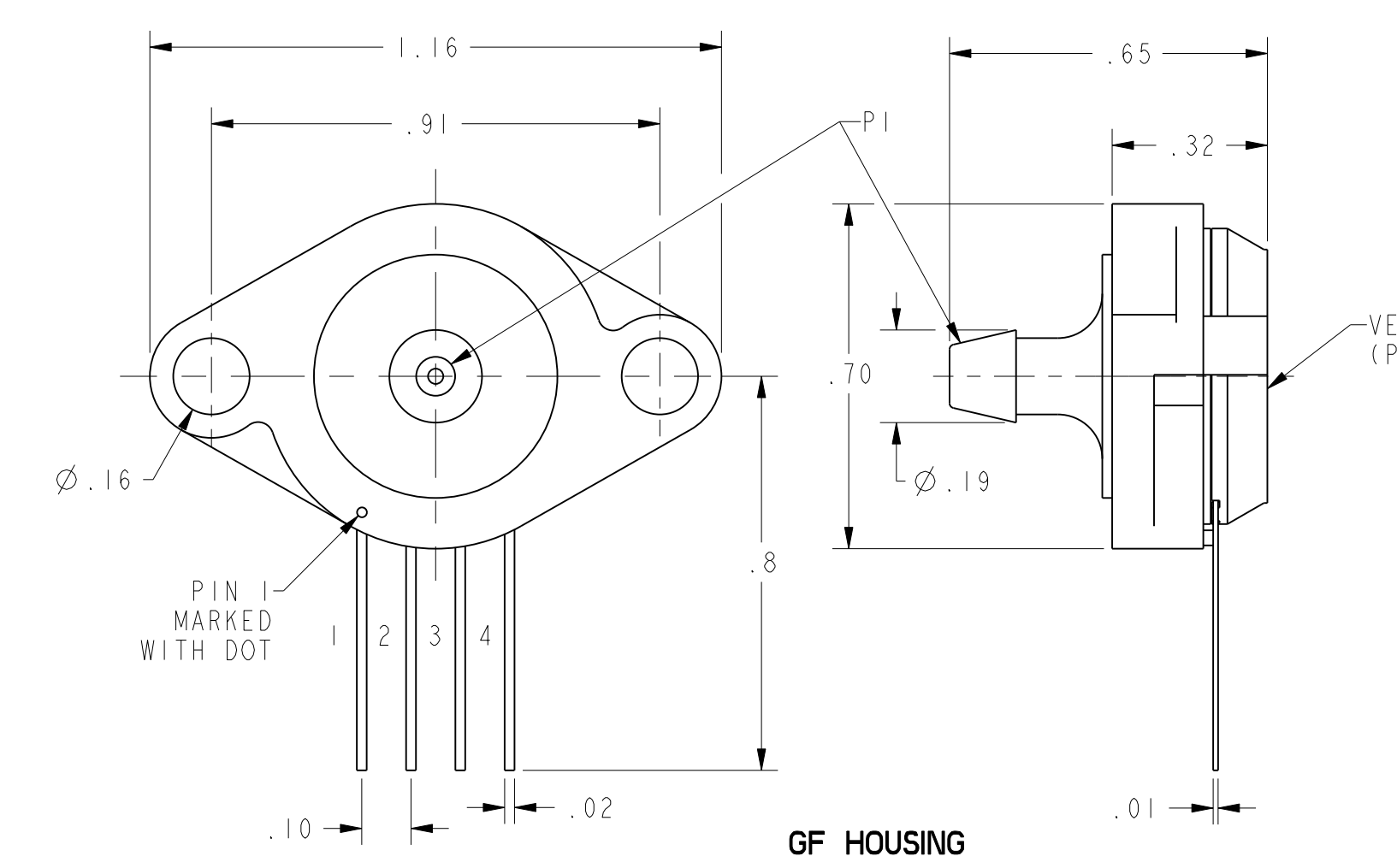
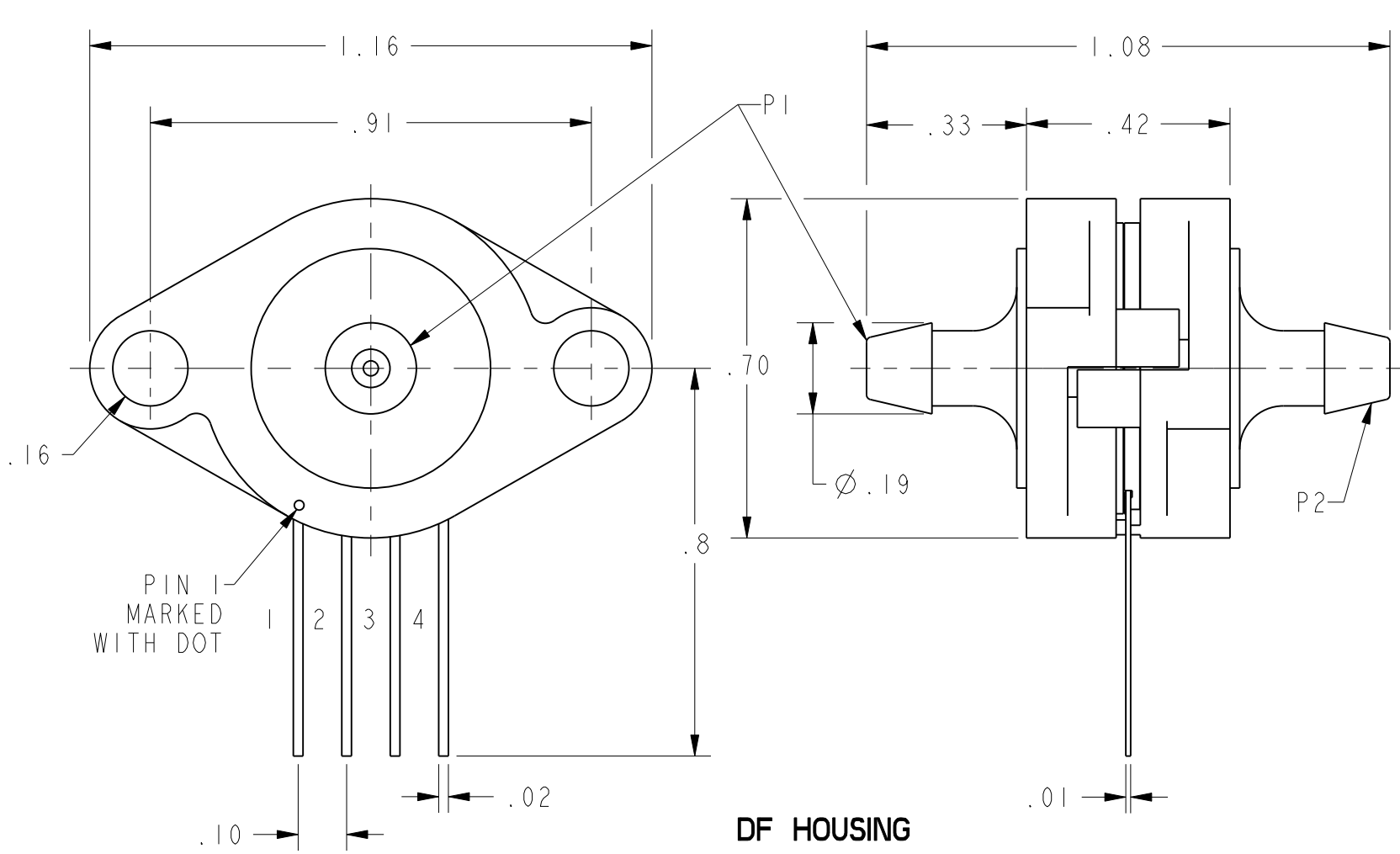
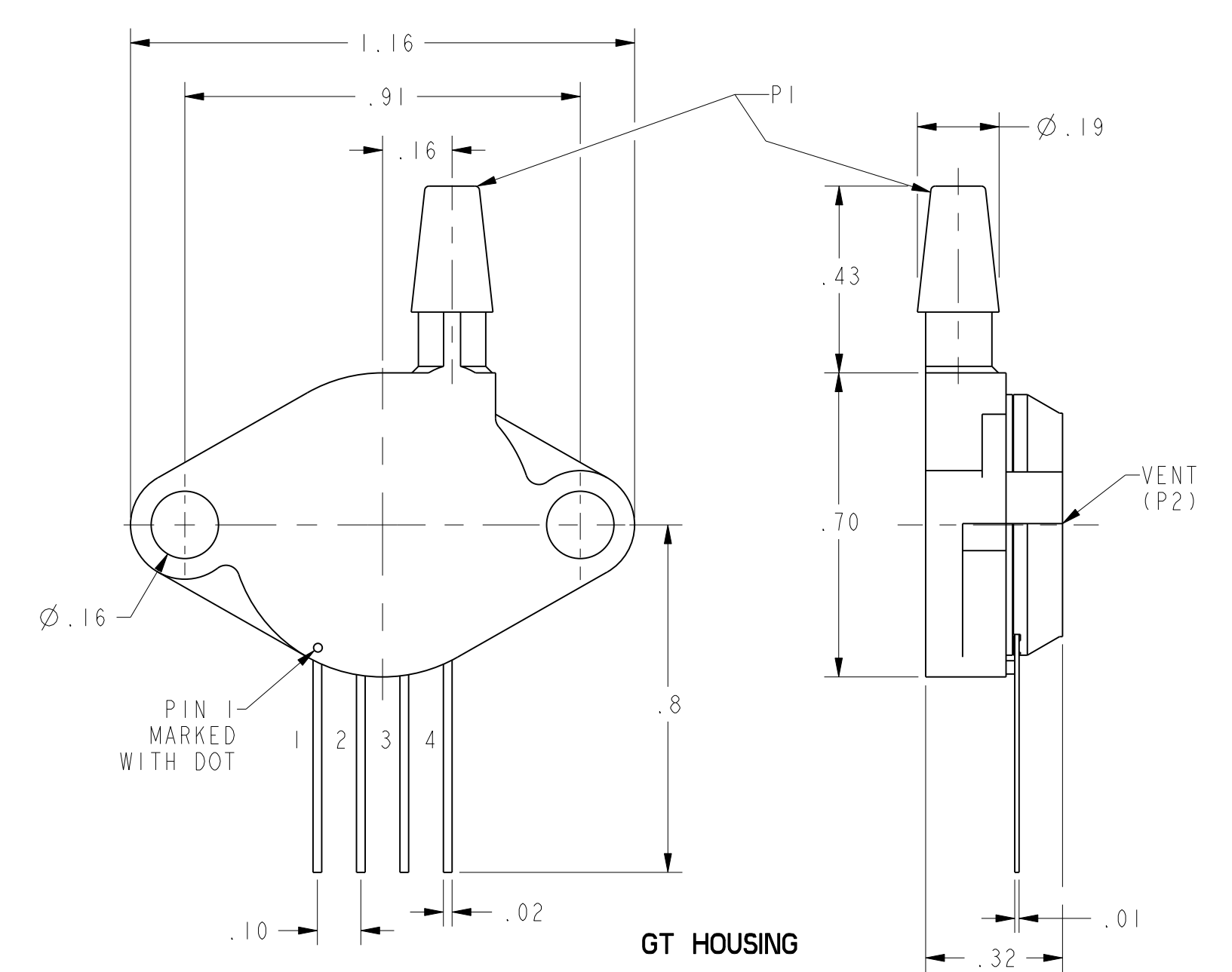
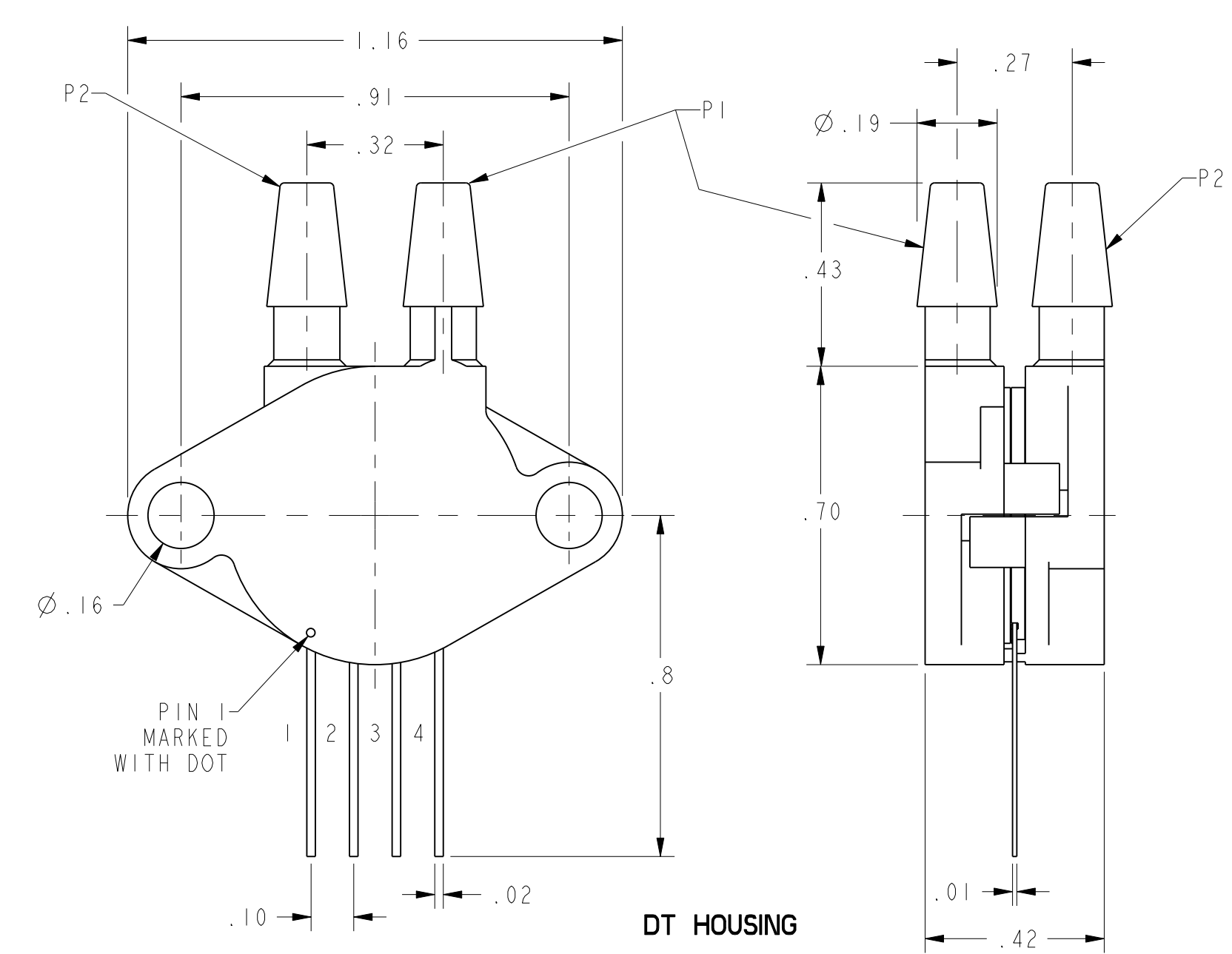
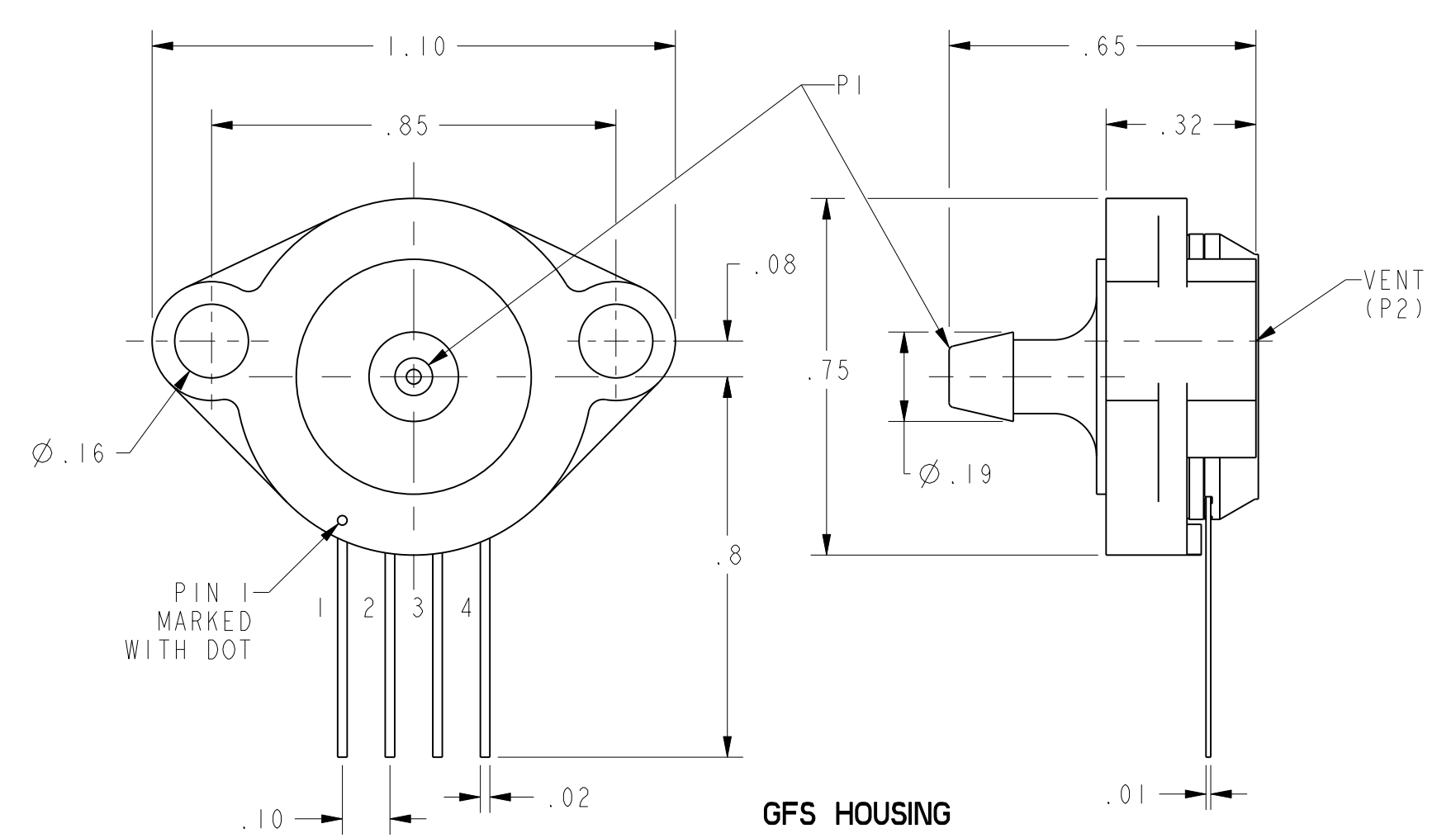
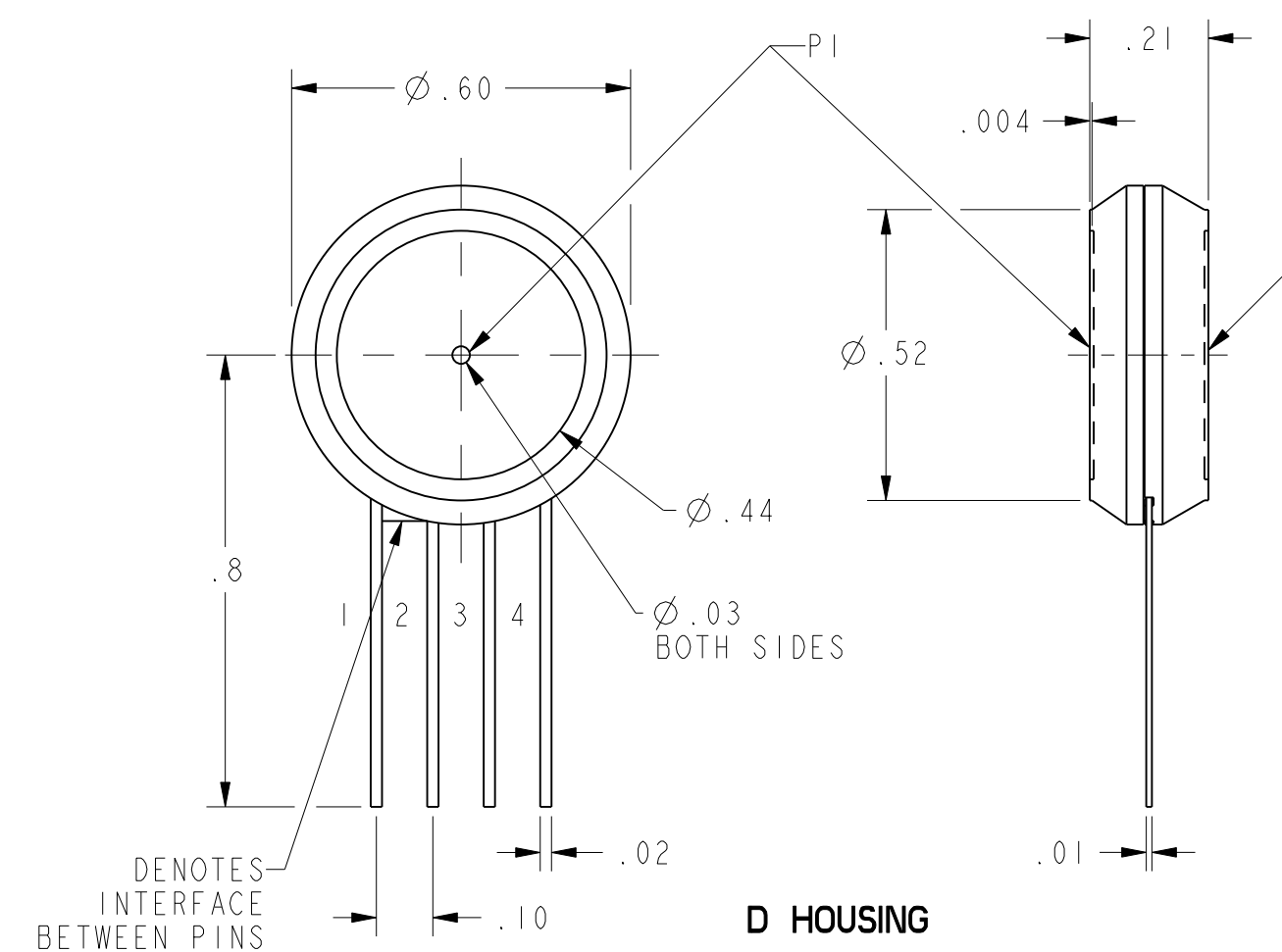
PORT OPTION
 F - AXIAL
 T - RADIAL
 FS - OFFSET AXIAL

PRESSURE RANGE
 04, 10 IN H₂O

PRESSURE REFERENCE
 G - GAGE
 D - DIFFERENTIAL

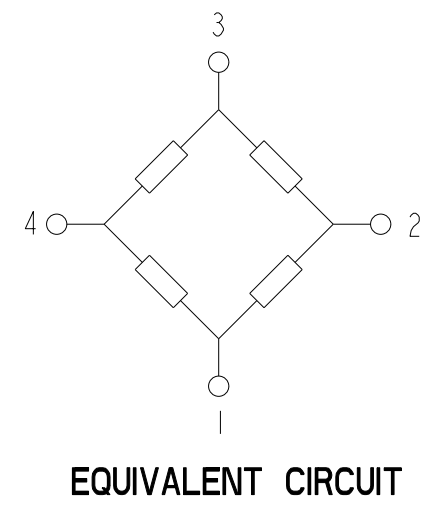
CATALOG LISTINGS

XPCL04DTC
XPCL04DC
XPCL04DFC
XPCL04GTC
⑦
XPCL10DC
XPCL10DFH
XPCL10DTC
XPCL10DTH
⑥
⑥
XPCL10DH



XPCL G/D STYLE (GAGE/DIFFERENTIAL)	PERFORMANCE AT 25°C AND 12±0.01 Vdc (UNLESS OTHERWISE STATED)										UNITS	FULL SCALE PRESSURE (IN H ₂ O)	PROOF PRESSURE PSI	BURST PRESSURE PSI	
	C-GRADE			H-GRADE											
	MIN	NOM	MAX	MIN	NOM	MAX									
OFFSET (0 IN H ₂ O) (FOR 04 ONLY)	-2	0	2												
OFFSET (0 IN H ₂ O) (FOR 10" ONLY)	-1	0	+1	-0.5	0	0.5									
4 IN H ₂ O SPAN (P1>P2)	23	25	27	N/A	N/A	N/A					4	3	5		
10 IN H ₂ O SPAN (P1>P2)	19	20	21	19.5	20	20.5					10	3	5		
NULL SHIFT OVER TEMPERATURE (0-25,25-70 °C) $\sqrt{2/3}$	---	---	±1	---	---	±.5									
SPAN SHIFT OVER TEMPERATURE (0-25,25-70 °C) $\sqrt{2/3}$	---	---	±2	---	---	±1									
COMBINED LINEARITY AND HYSTERESIS $\sqrt{4}$	---	0.25	1	---	0.25	0.5									

GENERAL OPERATING CHARACTERISTICS	ALL PRESSURES AND GRADES				UNITS
	MIN	NOM	MAX		
EXCITATION VOLTAGE	3	12	16		Vdc
SUPPLY CURRENT	---	---	3.5		mA
INPUT RESISTANCE	5	---	---		K-OHMS
OUTPUT RESISTANCE	---	3	---		K-OHMS
OPERATING TEMPERATURE	-25	---	85		°C
STORAGE TEMPERATURE	-40	---	125		°C



PIN OUT

1	-V EXCITATION
2	+ OUTPUT SIGNAL
3	+V EXCITATION
4	- OUTPUT SIGNAL

NOTES

- SPAN IS THE ALGEBRAIC DIFFERENCE BETWEEN THE OUTPUT AT FULL SCALE PRESSURE AND THE OFFSET OUTPUT
- TEMPERATURE ERROR IS CALCULATED WITH RESPECT TO 25°C
- THE L04 LISTINGS HAVE A TEMPERATURE SHIFT RANGE FROM 0°C TO 25°C AND 25°C TO 50°C
- LINEARITY IS MEASURED AT 1/2 FULL SCALE PRESSURE USING BEST STRAIGHT LINE FIT
- THE OUTPUT OF THE SENSOR IS PROPORTIONAL, RATIO-METRIC, TO THE EXCITATION VOLTAGE. ALL SPECIFICATIONS WILL NOMINALLY BE CHANGED BY THE RATIO OF V_{EXCITATION}/12.0 Vdc
- LIMIT SOLDERING TO 315°C FOR LESS THAN 10 SECONDS
- INPUT MEDIA FOR P1 IS RESTRICTED TO DRY GASES ONLY

UNLESS OTHERWISE SPECIFIED TOLERANCES ARE:	ASSEMBLY	DRAWN	TSM	IBAPRO1
NO PLACE	±.040 ±.1	CHECK	MDM	IBAPRO1
ONE PLACE	±.030 ±.04	THIS DRAWING COVERS A PROPRIETARY ITEM AND IS THE PROPERTY OF HONEYWELL. THIS DRAWING IS NOT TO BE COPIED OR USED WITHOUT THE PERMISSION OF HONEYWELL.		
TWO PLACE	±.015 ±.015	DIMENSIONS ARE TO BE MET BEFORE PROTECTIVE COATINGS ARE APPLIED		
THREE PLACE	±.005 ±	PTC 3D ASME Y14.5M-1994		
ANGLES	±	SCALE 3:1		
RAW MATERIAL-COMMERCIAL STANDARD		DRAWING NAME: XPCL SERIES CHART 1		
		REV 7		

Honeywell

PRESSURE SENSOR

SIZE D DWG TYPE I DRAWING NAME: XPCL SERIES CHART 1 REV 7

SCALE 3:1 SHEET 1 OF 1